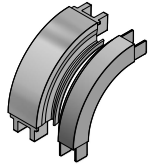




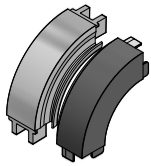
NEW PRODUCT UPDATE:

6" Radius Corners for Narrow Single Face Body



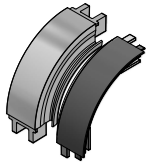
Part Number 4465 Part Narrow Single Face Body 1-1/2" Retainer

1-1/2" Radius Corners are for use with the 1-1/2" Retainers only (Part #2055). Body and retainers are cast aluminum. The cast radius corner body and cast retainer are ground smooth and milled to fit the extrusion profiles. Some surface preparation may be necessary. **Not ready for paint.**



Part Number 4475 Part Narrow Single Face Body Dual Frame w/ 2-1/4" Dual Frame Cover

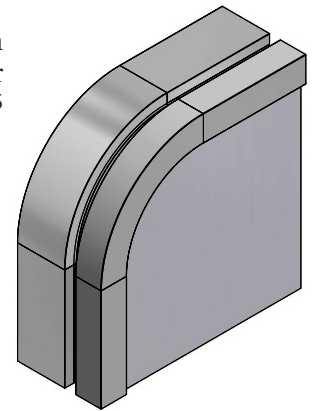
Dual Frame Radius Corners are for use with either 2-1/4" Retainer (Part #2045) or Dual Frame with 2-1/4" Dual Frame Cover (Part #'s 2065 and 2075). The cast radius corner body is ground smooth and milled to fit the extrusion profile. Some surface preparation may be necessary. **Not ready for paint.** 2-1/4" Dual Frame Covers are injection molded Polycarbonate, pre-primed and ready for paint/top coating.



Part Number 4485 Part Narrow Single Face Body Tension Frame w/ Bleed Tension Frame Cover

Tension Frame Radius Corners are for use with the Bleed Tension Frame & Bleed Cover only (Part #'s 2085 and 2095). The cast radius corner body is ground smooth and milled to fit the extrusion profile. Some surface preparation may be necessary. **Not ready for paint.** Bleed Tension Frame Covers are injection molded Polycarbonate, pre-primed and ready for paint/top coating.

Shown with 1-1/2" Retainer Part # 2055



Retainer / Face Options

1-1/2" Retainer Part #2055

2-1/4" Retainer Part # 2045

Dual Frame w/ 2-1/4" Dual Frame Cover Part #'s 2065 and 2075

Tension Frame w/ Bleed Cover Part #'s 2085 and 2095

